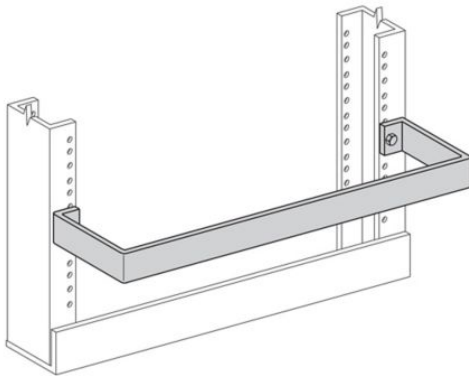


Eaton SB58901BTG

Catalog Number: SB58901BTG

Eaton B-Line series open frame racks, Aluminum, 3/8"-16 mounting hardware, (2) RMUs of mounting space, Telco gray powder coat finish, Two-post network equipment rack guard rail, Used to protect 19" rack mounted equipment

General specifications



Product Name	Catalog Number
Eaton B-Line series open frame racks	SB58901BTG
UPC	Product Length/Depth
799038029779	5.25 in
Product Height	Product Width
2 in	19 in
Product Weight	Certifications
1.6 lb	Not Applicable

Product specifications

Special features

(2) RMUs of mounting space

Model

Two-post network equipment rack guard rail

Material

Aluminum

Finish

Telco gray powder coat

Resources

Brochures

[RCM and RCM+ brochure](#)

Specifications and datasheets

[Eaton Specification Sheet - SB58901BTG](#)



Eaton Corporation plc
Eaton House
30 Pembroke Road
Dublin 4, Ireland
Eaton.com
© 2023 Eaton. All Rights Reserved.

Eaton is a registered trademark.

All other trademarks are property of their respective owners.



[Eaton.com/socialmedia](https://www.eaton.com/socialmedia)